

Electrical Diagram :



For reference only!version1.0

CUL Technical Data (UL1059)

Use Group	B	C	D
Rated Voltage [V]	600	600	600
Rated Current [A]	20	20	5
Withstanding Voltage	2200V/1Min		
Wire Range	26-12AWG		

IEC Technical Data (IEC 60947-7-1)

Overvoltage Category	III
Contamination Class	3
Rated Voltage [V]	800V
Rated Current [A]	24A
Impulse withstand voltage	8KV

Conductor cross section

Soild	0.2-4mm ²
Flexible	0.2-2.5mm ²
Flexible with ferrule	0.2-2.5mm ²

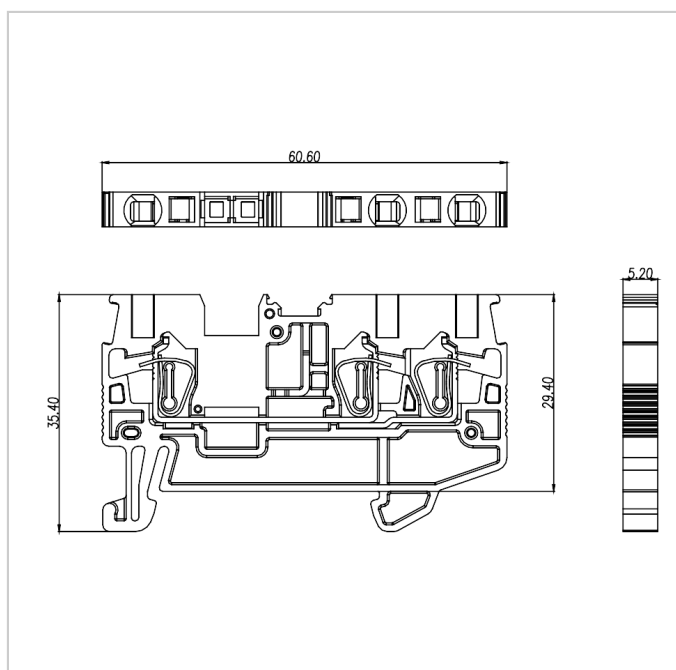
Material

Insulation Material	PA66
Flame retardant rating	UL94V-0
Conductor Material	Copper alloy
Plating of conductor surface	Sn plated

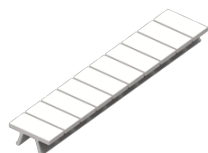
Other Data

Length/Height/Thickness [mm]	60.6/35.4/5.2
Connection Points	3
Stripping Length [mm]	8-10
Type of rail	DIN 35
Screw/Torque(Max)[N.m]	/
Operating temperature [°C]	-40~+105

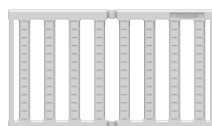
Dimensions



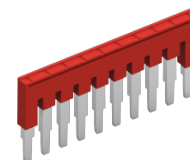
Accessories



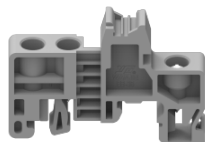
[MUV2.5-10](#)



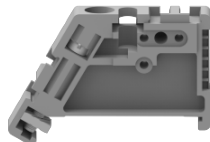
[PUV2.5-96](#)



[FUVA2.5-XX](#)



[EB-35](#)



[EW-35](#)



[DGL2-35x7.5A](#)



[DGL2-35x7.5B](#)



[DGL2-35x7.5C](#)



[DGL2-35x7.5D](#)



[DUV2.5-103](#)



[DGS1-35x7.5W4.2x12](#)



[DGS1-35x7.5W5.2x15](#)



[DGS1-35x7.5W](#)