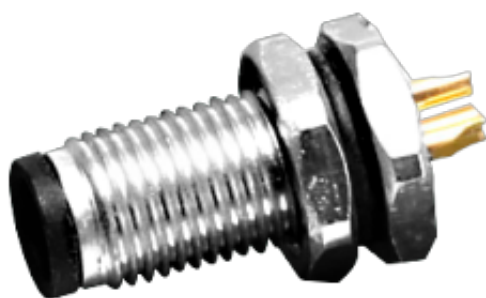


M5 Mela Panel Mount, Solder Type, Front Fastened

M5 Circular Connector

Download date : 2025-12-06



Connector Series : M5

Gender : Male

Coding : A

Locking Type : Fix Screw

Mounting Type: Front Fastened

Part No : M05-A**-ST0-M02-BQ1

A:A, B Coding

** : 03, 04 (Pin)

BQ1:1=M5X0.5(OD1)



For reference only!version1.0

Technical Data

Standard	IEC61076-2-105
Ambient Temperatur	-25°C~+85°C
Insulation Resistance	≥100MΩ
Contact Resistance	≤5mΩ
IP Class	IP67
Mating Endurance	>100 Mating Cycles

Material Data

Connector Carriers	PA
Connector Contacts	Copper Alloy With Gold Plated 铜镀金
Connector Nut/Screw	Copper Alloy With Nickel Plated 铜镀镍
Seal/O-Ring	FKM 氟橡胶

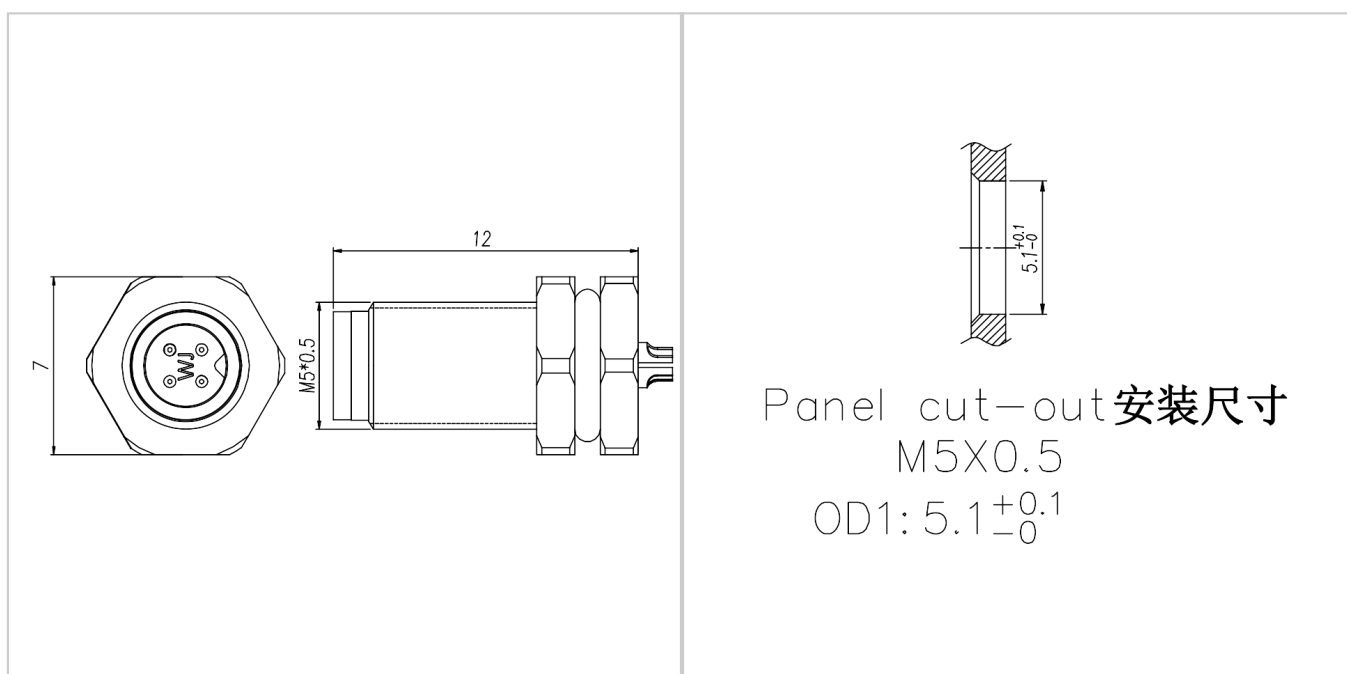
Shielding	Unshielded 非屏蔽	
-----------	----------------	--

Electrical Data & Mechanical Date



Contacts Pin	3Pins	4Pins
Rated Current	1A	1A
Voltage AC/DC	60V/60V	60V/60V
Wire Range AWG/mm ²	26/0.14	26/0.14

Dimensions

PCB opening diagram



Specification Selection Table

Contacts Pin数	Available Coding 防插错编码	Rated Current 额定电流	Voltage 电压		Wire Range 接线范围		Part NO. 产品编号
			AC	DC	AWG	mm ²	
03Pins	 A-Coding	1A	60V	60V	26	0.14	M05-A03-ST0-M02-BQ1
04Pins	 A-Coding	1A	60V	60V	26	0.14	M05-A04-ST0-M02-BQ1