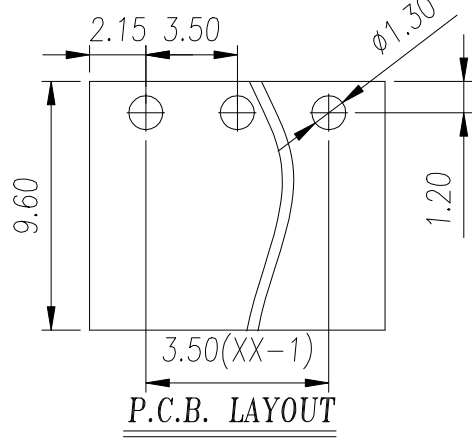
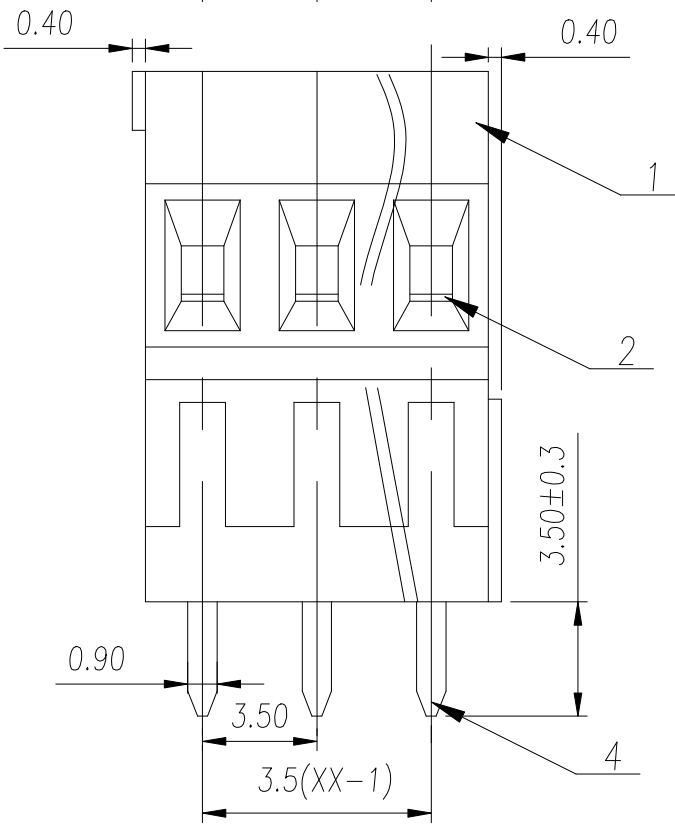
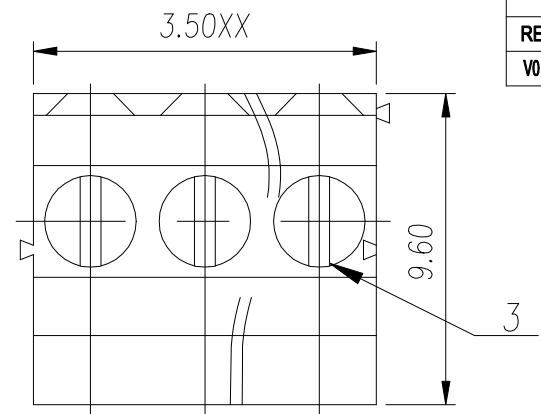
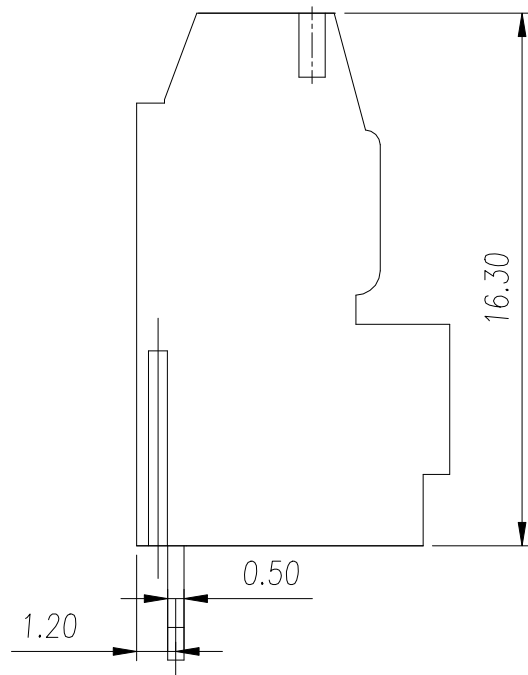


Transfer or duplication of this document as well as the utilization or communication of its contents are prohibited unless explicit authorization is granted. Violations will be liable for compensation. All rights reserved for patent, utility model, or designs registrations. 除非给予明确授权，否则禁止转让、复制、利用、交还本文件的内容。未经许可擅自复制或传播，一经发现，本公司保留追究法律责任。未经许可擅自复制或传播，一经发现，本公司保留追究法律责任。



P.C.B. LAYOUT



REVISION RECORD				
REV.	DESCRIPTION	ECN No.	APPROVED	DATE
V0	新发行		CY	23.11.27

UL/CUL 技术参数				
UL/CUL Technical Data				
等级 Use Group	B	C	D	
额定电压 Rated Voltage [V]	300	-	300	
额定电流 Rated Current [A]	10	-	10	
接线范围 Wire Range	28-16			
单/多芯线 Solid/Stranded [AWG]				
耐电压 Withstanding Voltage	1600V/1Min			
IEC 技术参数				
过电压类别 Overvoltage Category	III	III	II	
污染等级 Contamination Class	3	2	2	
额定电压 Rated Voltage [V]	160	200	400	
额定电流 Rated Current [A]	13.5	13.5	13.5	
额定冲击电压 Impulse withstand voltage [KV]	2.5	2.5	2.5	
导线截面积 Conductor cross section	0.5-1.0			
硬质/柔性导线 Solid/flexible [mm <sup>2</sup> ]				
一般参数 Other Data				
间距 Pitch /极数 Poles [mm] / [P]	3.5 / 02-24			
剥线长度 Stripping Length [mm]	4~5			
螺丝 Screw/扭矩 Torque(Max) [N.m]	M2/0.2			
工作温度 Operating temperature [°C]	-40~105			
焊锡温度 Soldering temperature	260°C/5S			

General Tolerances								—		
variable range	to 6	over 6 to 10	over 10 to 30	over 30 to 60	over 60 to 100	over 100 to 160	over 160 to 10	over 10 to 100	over 100 to 100	
tolerance	±0.20	±0.30	±0.50	±0.70	±1.00	±1.30	±1.60	0.10	0.30	0.60

ITEM	NAME OF PART	MATERIAL	NOTES	DES. CY	DATE	UNITS	mm	THIRD ANGLE PROJECTION
4	Header pin	Copper Alloy	Sn Plated	CHK. YangHJ	23.11.27	mm		
3	Screw	Steel	M2/Zn Plated	APP. JASON	23.11.27	A4		
2	Cage	Copper Alloy	M2/Ni Plated	SCALE	4.5:1			
1	Housing	PA66	UL94V-0	慈溪市万捷电子有限公司 CIXI WANJIE ELECTRONIC CO., LTD				PART NO.:
								WJEEK350-3.5-XXP-1Y-00A