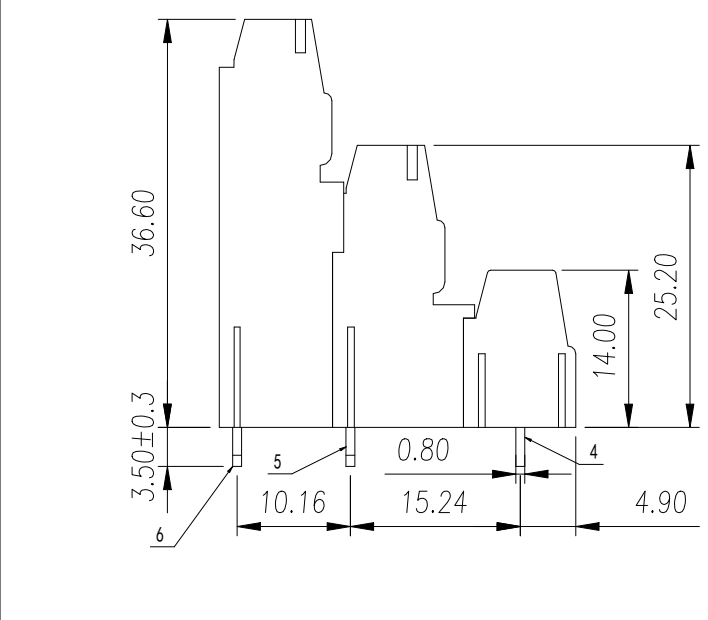
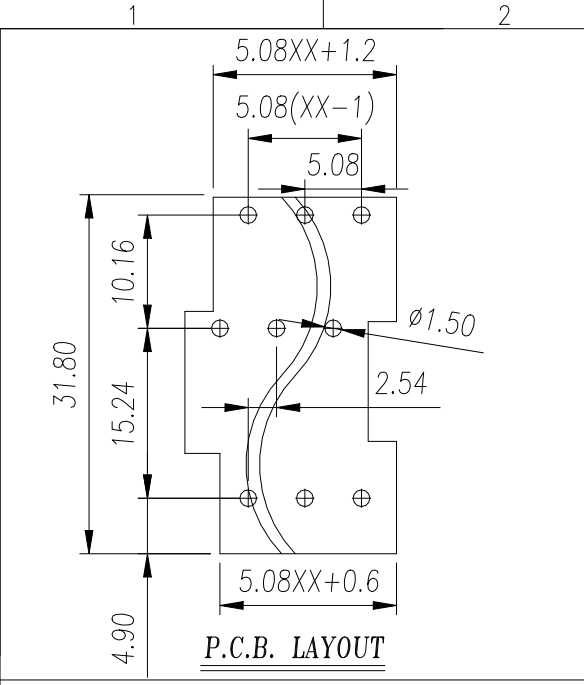
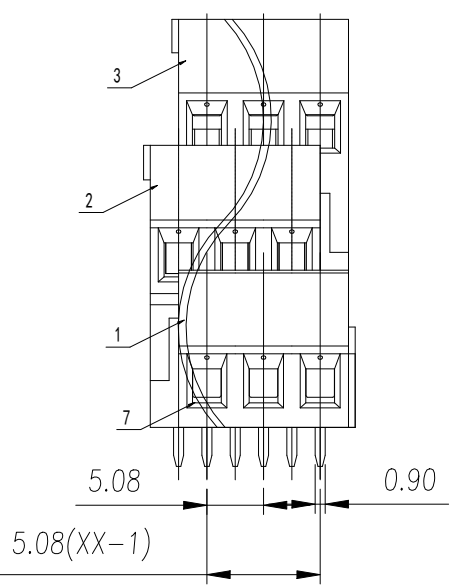
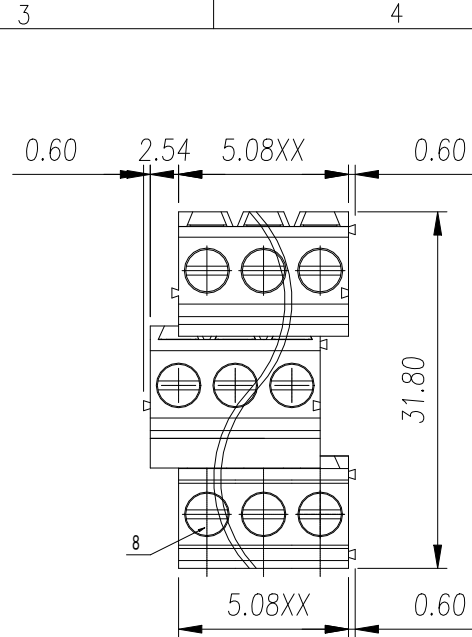


Transfer or duplication of this document as well as the utilization or communication of its contents are prohibited unless explicit authorization is granted. Violations will be liable for compensation. All rights reserved for patent, utility model or designs registrations. 除非给予明确授权，否则禁止转让、复制、利用、交还本文件的内容。侵犯者须负赔偿责任。使用新型和外观专利的所有权利。



General Tolerances								— ▯ ⊥		
variable range	to 6	over 6 to 10	over 10 to 30	over 30 to 60	over 60 to 100	over 100 to 160	over 160 to 10	over 10 to 100	over 100 to 100	
tolerance	±0.20	±0.30	±0.50	±0.70	±1.00	±1.30	±1.60	0.10	0.30	0.60



8	Screw	Steel	M2.5/Zn Plated	DES.	WangP	DATE	23.12.01	UNITS	mm	THIRD ANGLE PROJECTION	⊕	
7	Cage	Copper Alloy	M2.5/Ni Plated	CHK.	YangHJ	DATE	23.12.01	SIZE	A4	TYPE: CUSTOMER DRAWING	SHEET 1 of 1	
6	Header Pin	Copper Alloy	Sn Plated	APP.	JASON	DATE	23.12.01	SCALE	1.5:1	DRAWING TYPE: SP-03	REV	VO
5	Header Pin	Copper Alloy	Sn Plated	慈溪市万捷电子有限公司 CIXI WANJIE ELECTRONIC CO., LTD						PART NO.:		
ITEM	NAME OF PART	MATERIAL	NOTES							WJE3K508A-5.08-3*XXP-1Y-00A		

REVISION RECORD				
REV.	DESCRIPTION	ECN No.	APPROVED	DATE
VO	新发行		WangP	23.12.01

UL/CUL 技术参数				
UL/CUL Technical Data				
等级	Use Group	B	C	D
额定电压	Rated Voltage [V]	300	-	300
额定电流	Rated Current [A]	15	-	10
接线范围	Wire Range	30-14		
单/多芯线	Solid/Stranded [AWG]			
耐电压	Withstanding Voltage	1600V/1Min		
IEC 技术参数				
IEC Technical Data				
过电压类别	Overvoltage Category	III	III	II
污染等级	Contamination Class	3	2	2
额定电压	Rated Voltage [V]	250	400	630
额定电流	Rated Current [A]	18	18	18
额定冲击电压	Impulse withstand voltage [KV]	4.0	4.0	4.0
导线截面积	Conductor cross section	0.5-2.5		
硬质/柔性导线	Solid/flexible [mm ²]			
一般参数 Other Data				
间距	Pitch / 极数 Poles [mm] / [P]	5.08 / 3*02-3*24		
剥线长度	Stripping Length [mm]	6~7		
螺丝	Screw/扭矩 Torque(Max) [N.m]	M2.5/0.4		
工作温度	Operating temperature [°C]	-40~105		
焊锡温度	Soldering temperature	260°C/5S		

4	Header Pin	Copper Alloy	Sn Plated
3	Housing	PA66	UL94V-0
2	Housing	PA66	UL94V-0
1	Housing	PA66	UL94V-0
ITEM	NAME OF PART	MATERIAL	NOTES

DES.	WangP	DATE	23.12.01	UNITS	mm	THIRD ANGLE PROJECTION	⊕	
CHK.	YangHJ	DATE	23.12.01	SIZE	A4	TYPE: CUSTOMER DRAWING	SHEET 1 of 1	
APP.	JASON	DATE	23.12.01	SCALE	1.5:1	DRAWING TYPE: SP-03	REV	VO
慈溪市万捷电子有限公司 CIXI WANJIE ELECTRONIC CO., LTD						PART NO.:		
						WJE3K508A-5.08-3*XXP-1Y-00A		