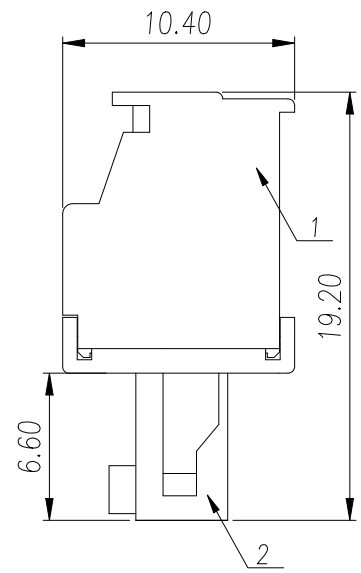
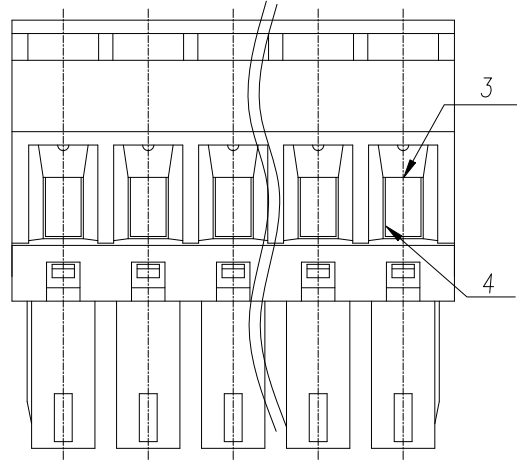
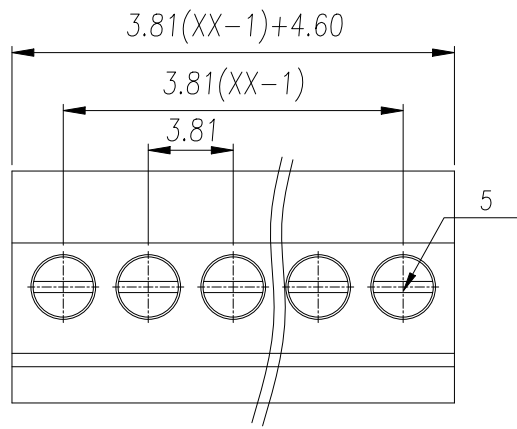


Transfer or duplication of this document as well as the utilization or communication of its contents are prohibited unless explicit authorization is granted. Violations will be liable for compensation. All rights reserved for patent, utility model or designs registrations. 除非给予明确授权，否则禁止转让、复制、利用、交流本文件的内容。侵犯者将承担法律责任。本公司保留对涉及发明、实用新型专利的所有权利。

REVISION RECORD

REV.	DESCRIPTION	ECN No.	APPROVED	DATE
0	新发行		YaoFei	24.02.28



UL/CUL 技术参数		UL/CUL Technical Data			
等级	Use Group	B	C	D	
额定电压	Rated Voltage [V]	300	-	300	A
额定电流	Rated Current [A]	8	-	8	
接线范围	Wire Range	28-16			B
单/多芯线	Solid/Stranded [AWG]				
耐压	Withstanding Voltage	1600V/1Min			C
IEC 技术参数					
IEC Technical Data					
过电压类别	Overvoltage Category	III	III	II	D
污染等级	Contamination Class	3	2	2	
额定电压	Rated Voltage [V]	160	160	320	A
额定电流	Rated Current [A]	8	8	8	
额定冲击电压	Impulse withstand voltage [KV]	2.5	2.5	2.5	B
导线截面积	Conductor cross section	0.2-1.5			
硬质/柔性导线		Solid/flexible [mm ²]			
一般参数		Other Data			C
间距	Pitch / 极数 Poles [mm] / [P]	3.81 / 02-24			
剥线长度	Stripping Length [mm]	6~7			
螺丝	Screw/ 扭矩 Torque(Max) [N.m]	M2/0.2			
工作温度	Operating temperature [°C]	-40~105			
符合RoHS环保要求					

General Tolerances

variable range	tolerance							tolerance		
	to 6	over 6 to 10	over 10 to 30	over 30 to 60	over 60 to 100	over 100 to 160	to 10	over 10 to 100	over 100 to	
tolerance	±0.20	±0.30	±0.50	±0.70	±1.00	±1.30	±1.60	0.10	0.30	0.60

ITEM	NAME OF PART	MATERIAL	NOTES
5	Screw	Steel	M2/Zn Plated
4	Cage	Copper Alloy	M2/Ni Plated
3	Clamp	Copper Alloy	Sn Plated
2	Cover	PA66	UL94V-0
1	Housing	PA66	UL94V-0

DES.	YaoFei	DATE	24.02.28	UNITS	mm	THIRD ANGLE PROJECTION	
CHK.	YangHJ	DATE	24.02.28	SIZE	A4	TYPE: CUSTOMER DRAWING	SHEET 1 of 1
APP.	JASON	DATE	24.02.28	SCALE	3:1	DRAWING TYPE: SP-03	REV 0
慈溪市万捷电子有限公司 CIXI WANJIE ELECTRONIC CO., LTD						PART NO.: WJ15EDGKA-3.81-XXP-1Y-00A	