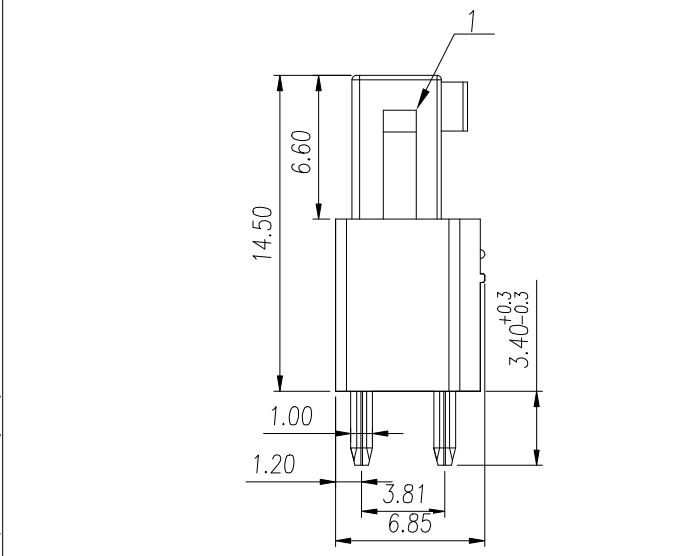
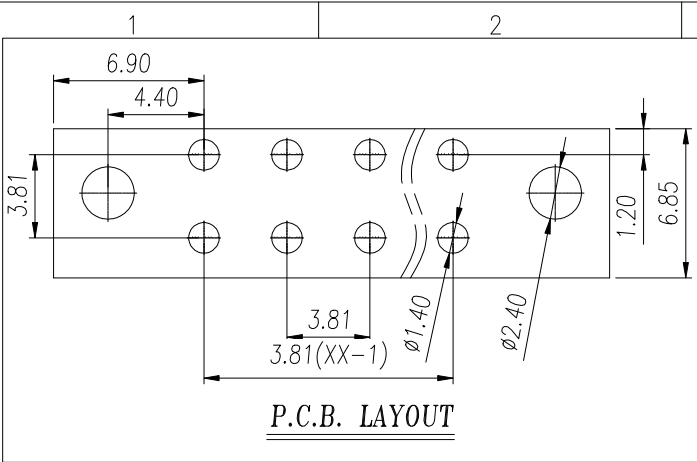
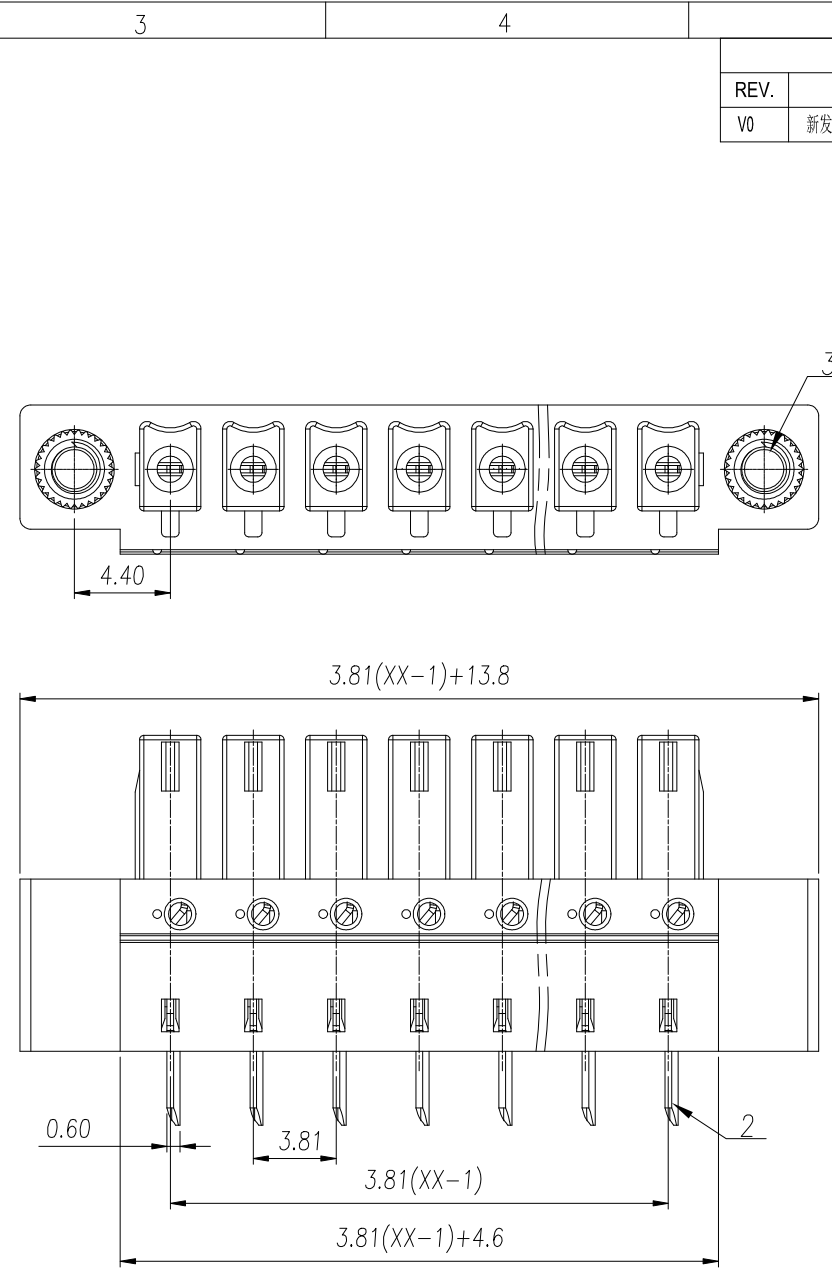


Transfer or duplication of this document as well as the utilization or communication of its contents are prohibited unless explicit authorization is granted. Violations will be liable for compensation. All rights reserved for patent, utility model or designs registrations. 除非给予明确授权，否则禁止转让、复制、利用、交流本文件的内容。侵犯者将承担法律责任。本公司保留对涉及发明、实用新型和外观设计的所有权利。



General Tolerances										
variable range	to 6	over 6 to 10	over 10 to 30	over 30 to 60	over 60 to 100	over 100 to 160	to 10	over 10 to 100	over 100 to 160	
tolerance	±0.20	±0.30	±0.50	±0.70	±1.00	±1.30	±1.60	0.10	0.30	0.60



REVISION RECORD				
REV.	DESCRIPTION	ECN No.	APPROVED	DATE
V0	新发行		YuCZ	23.12.12

UL/CUL 技术参数		UL/CUL Technical Data		
等级	Use Group	B	C	D
额定电压	Rated Voltage [V]	300	-	300
额定电流	Rated Current [A]	8	-	8
接线范围	Wire Range			
单/多芯线	Solid/Stranded [AWG]	-		
耐电压	Withstanding Voltage	1600V/1Min		
IEC 技术参数		IEC61984		
过电压类别	Overtoltage Category	III	III	II
污染等级	Contamination Class	3	2	2
额定电压	Rated Voltage [V]	160	160	320
额定电流	Rated Current [A]	7	7	7
额定冲击电压	Impulse withstand voltage [KV]	2.5	2.5	2.5
导线截面积	Conductor cross section			
硬质/柔性导线	Solid/flexible [mm ²]	-		
一般参数		Other Data		
间距	Pitch / 极数 Poles [mm] / [P]	3.81 / 02-24		
工作温度	Operating temperature [°C]	-40~105		
焊接温度	Soldering temperature	260°C/5S		
符合RoHS环保要求				
3	NUT	Copper Alloy	M2.5	
2	Clamp	Copper Alloy	Sn Plated	
1	Housing	PA66	UL94V-0	
ITEM	NAME OF PART	MATERIAL	NOTES	

DES.	YuCZ	DATE	23.12.12	UNITS	mm	THIRD ANGLE PROJECTION	
CHK.	YangHJ	DATE	23.12.12	SIZE	A4	TYPE: CUSTOMER DRAWING	SHEET 1 of 1
APP.	JASON	DATE	23.12.12	SCALE	2.5:1	DRAWING TYPE: SP-03	REV V0
慈溪市万捷电子有限公司 CIXI WANJIE ELECTRONIC CO., LTD						PART NO.: WJ15EDGBM-3.81-XXP-1Y-00A	