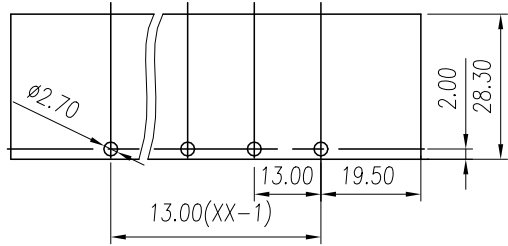
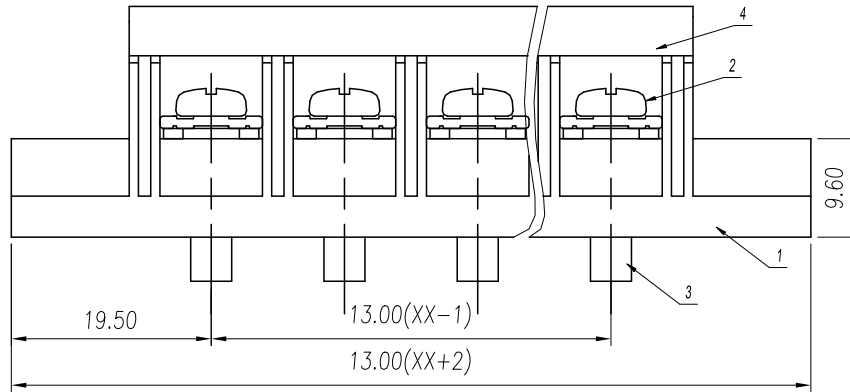
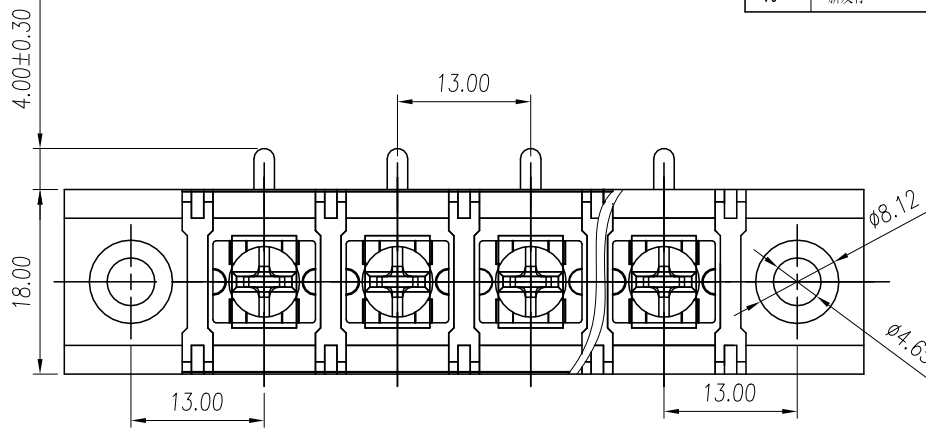
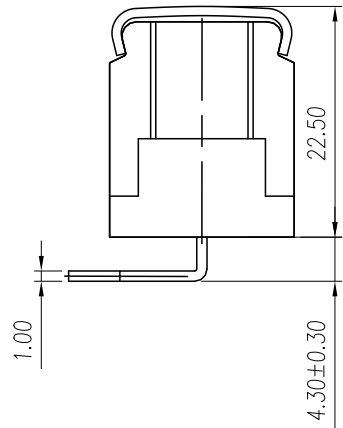


Transfer or duplication of this document as well as the utilization or communication of its contents are prohibited unless explicit authorization is granted. Violations will be liable for compensation. All rights reserved for patent, utility model or designs registrations. 除非给予明确授权，否则禁止转让、复制、利用、交流本文件的内容。一经发现侵权，侵权者将承担法律责任。本公司保留所有权利。



P.C.B. LAYOUT



REVISION RECORD

REV.	DESCRIPTION	ECN No.	APPROVED	DATE
V0	新发行		ZhaoXY	24.04.01

电气性能/Electrical	
额定电压 /Rated voltage	600V
额定电流 /Rated current	40A
接触电阻 /Contact resistance	20mΩ
绝缘电阻 /Insulation resistance	500MΩ/DC500V
使用线径 /Wire range	18~10AWG
耐电压 /With standing voltage	AC 2200V/1 Min
机械性能/Mechanica	
扭矩/Torque	1.2Nm(10.6Lb.in)
温度范围 /Temp.Range	-40°C~+105°C
瞬时温度 /MAX Soldering	+260°C, for 5 Sec
尺寸/Dimensions	
间距/Pitch	13mm
极数/Poles	2~20p

4	Cover	PC	UL94V-2
3	Pin Header	Copper Alloy	Sn Plated
2	Screws	Steel	M4 Steel Ni plated
1	Housing	PA66	UL94V-0
ITEM	NAME OF PART	MATERIAL	NOTES

DES.	ZhaoXY	DATE	24.04.01	UNITS	mm	THIRD ANGLE PROJECTION	
CHK.	HuHT	DATE	24.04.01	SIZE	A4	TYPE: CUSTOMER DRAWING	SHEET 1 of 1
APP.	Jason	DATE	24.04.01	SCALE	2:1	DRAWING TYPE: SP-03	REV V1



慈溪市万捷电子有限公司
CIXI WANJIE ELECTRONIC CO., LTD

PART NO.:
WJ78RM-XXP-1Y-00A

General Tolerances

variable range	General Tolerances							Surface Finish		
	to 6	over 6 to 10	over 10 to 30	over 30 to 60	over 60 to 100	over 100 to 160	to 10	to 100	to 100	
tolerance	±0.20	±0.30	±0.50	±0.70	±1.00	±1.30	±1.60	0.10	0.30	0.60

1

2

3

4

5

FOR-0371 Rev.1.0