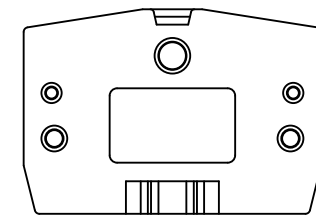
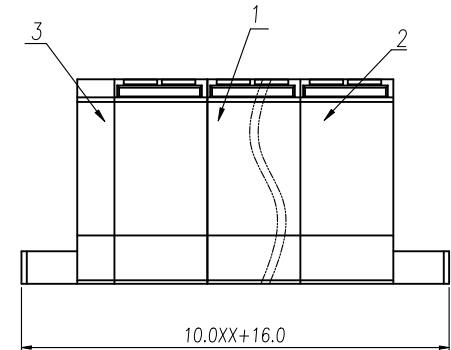
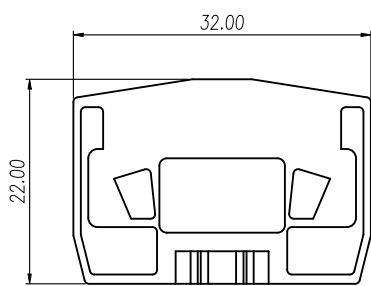
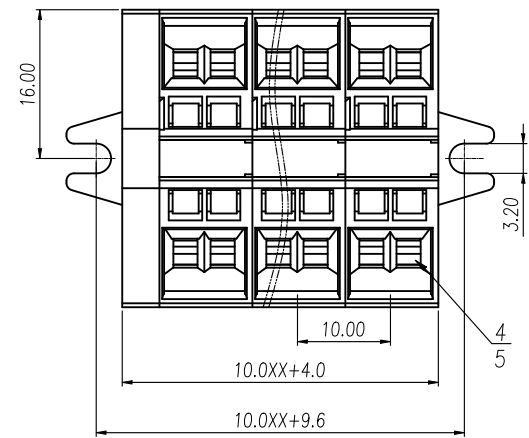


REVISION RECORD

REV.	DESCRIPTION	ECN No.	APPROVED	DATE
V0			WuBW	26.01.04

UL/CUL 技术参数		UL/CUL Technical Data			A
等级	Use Group	B	C	D	
额定电压	Rated Voltage [V]	600	600	600	
额定电流	Rated Current [A]	20	20	5	
接线范围	Wire Range	28~12			
单/多芯线	Solid/Stranded [AWG]				
耐电压	Withstanding Voltage	2200V/1Min			
IEC 技术参数		IEC Technical Data			B
过电压类别	Overvoltage Category	III			
污染等级	Contamination Class	3			
额定电压	Rated Voltage [V]	800			
额定电流	Rated Current [A]	24			
额定冲击电压	Impulse withstand voltagea [KV]	8			
导线截面积	Conductor cross section	0.5-2.5			
硬质/柔性导线	Solid/flexible [mm <sup>2</sup> ]				
材料		Material			C
绝缘材料	Insulation Material	PA			
阻燃等级	Imflammability	UL94V-0			
导体材料	Contacting Material	铜合金 Copper alloy			
导体镀层	Contactive Coating	镀锡 Sn Plated			
一般参数		Other Data			D
间距	Pitch [mm]	10.0			
极数	Poles [P]	01-24			
剥线长度	Stripping Length [mm]	9~10			
工作温度	Operating temperatur [°C]	-40~105			



General Tolerances

variable range	General Tolerances							Tolerances		
	to 6	over 6 to 10	over 10 to 30	over 30 to 60	over 60 to 100	over 100 to 160	to 10	to 100	to 100	
tolerance	±0.20	±0.30	±0.50	±0.70	±1.00	±1.30	±1.60	0.10	0.30	0.60

ITEM	NAME OF PART	MATERIAL	NOTES
5	Spring	Stainless Steel	-
4	Current Carrier	Copper Alloy	Sn Plated
3	Cover	PA66	UL94V-0
2	Housing2	PA66	UL94V-0
1	Housing1	PA66	UL94V-0

DES.	WuBW	DATE	26.01.04	UNITS	mm	THIRD ANGLE PROJECTION	
CHK.	HuHT	DATE	26.01.04	SIZE	A4	TYPE: CUSTOMER DRAWING	SHEET 1 of 1
APP.	Jason	DATE	26.01.04	SCALE	2:1	DRAWING TYPE: SP-03	REV V0
慈溪市万捷电子有限公司 CIXI WANJIE ELECTRONIC CO., LTD						PART NO.: GWSN2.5B-XXP-1Y-00A	

Transfer or duplication of this document as well as the utilization or communication of its contents are prohibited unless explicit authorization is granted. Violations will be liable for compensation. All rights reserved for patent, utility model or designs registrations. 除非经书面明确授权，否则禁止转让、复制、利用、交流本文件的内容。侵犯者将承担赔偿责任。本公司保留对涉及发明、实用新型和外观设计的所有权利。