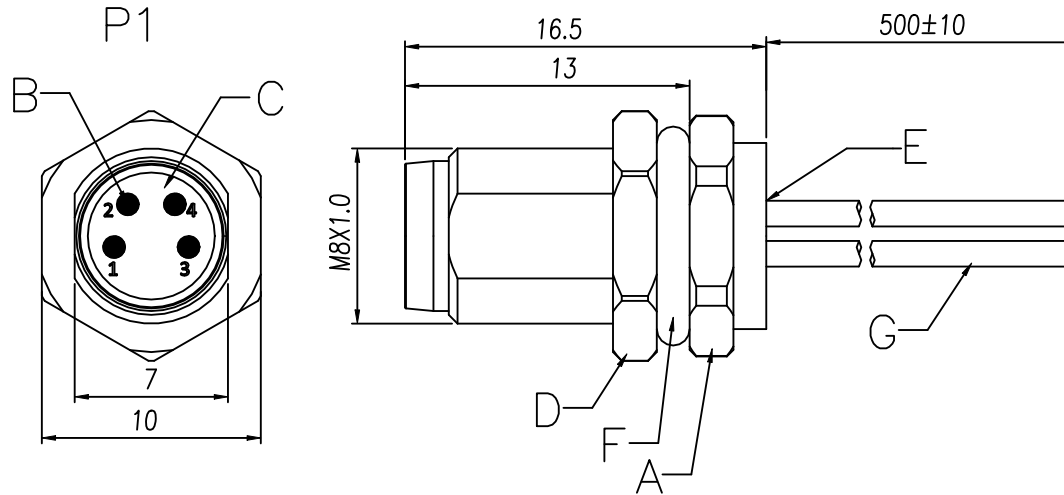


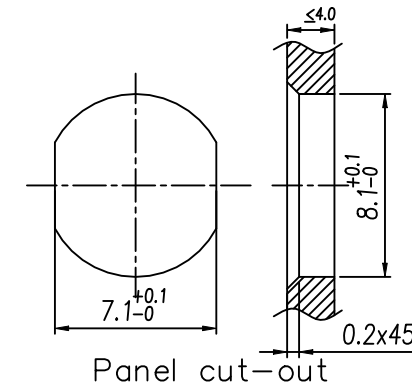
REVISION RECORD

REV.	DESCRIPTION	ECN No.	APPROVED	DATE
V0	--	/		2021.08.18



IEC 技术参数 IEC Technical Data		IEC61076-2-104
工作温度 Operating temperatur [°C]		-25~+80
防护等级 IP Class (IN Locked condition)		IP67
额定电压 Rated Voltage [V]		
额定电流 Rated Current [A]		
导线截面积 Conductor cross section 硬质/柔性导线 Solid/ flexible [mm ²]		
接线范围 Wire Range 单/多芯线 Solid/Stranded [AWG]		
材料 Material		
绝缘材料 Insulation Material		PA 66
阻燃等级 Imflammability		UL94V-0
导体材料 Contactor Material		铜合金 Copper alloy
导体镀层 Contactive Coating		镀金 Gold Plated
螺母/螺丝 Connector Nut/Screw		Brass With Nickel Plated 铜镀镍
符合RoHS环保要求		

Contacts Pin 数	3Pin	4Pin	5Pin	6Pin	8Pin
Coding 编码	A-Coding	A-Coding	B-Coding	A-Coding	A-Coding
Rated Current 额定电流	3A	3A	3A	1.5A	1.5A
Rated Voltage 额定电压	60V	60V	30V	30V	30V
Wire Range 线范围	24AWG	24AWG	24AWG	26AWG	26AWG
PART NO. 品名 (0.5M):	M08-A03-ST0-M02-BQ1-050	M08-A04-ST0-M02-BQ1-050	M08-B05-ST0-M02-BQ1-050	M08-A06-ST0-M02-BQ1-050	M08-A08-ST0-M02-BQ1-050
Customized. 定制化:



G	WIRE	WIRE: UL1061 L=505mm	pcs	X	
F	O-Ring	O-Ring FKM Black	pcs	1	
E	Resin	Black epoxy resin for sealing	g	1	
D	Nut	Nut:M8X1.0,Brass With Nickel Plated	pcs	1	
C	Housing	M8 Male,Black PA66	pcs	1	
B	Terminal	Male Terminal ,Brass With Gold Plated	pcs	X	
A	Screw	Screw M8X1.0,Brass With Nickel Plated	pcs	1	
编号 No.	料号 Materials.No	品名 Name	材料规格 Description	单位 Unit	用量 Qty

NO SPECIFIED TOLERANCE		Cus' P/IN:	Order No.:	Drawing No.:				
LINEAR	0.5-6	±0.1	Jun	---	SP-02-M000XX			
	6-30	±0.2				DATE	UNITS	mm
	>30	±2%				CHK.	DATE	SIZE
ANGLES	±1°		APP.	DATE	SCALE	X:X		
文件等级: 外部公开					PAGE	1 of 2		



慈溪市万捷电子有限公司
CIXI WANJIE ELECTRONIC CO., LTD

PART NO.: M08-AXX-ST0-M02-BQ1-XXX

REVISION RECORD				
REV.	DESCRIPTION	ECN No.	APPROVED	DATE
V0	--	/		2021.08.18

3Pin

P1	Wirelist
1	brown
3	blue
4	black

4Pin

P1	Wirelist
1	brown
2	white
3	blue
4	black

5Pin

P1	Wirelist
1	brown
2	white
3	blue
4	black
5	grey

8Pin

P1	Wirelist
1	white
2	brown
3	green
4	yellow
5	grey
6	pink
7	blue
8	red

6Pin

P1	Wirelist
1	brown
2	white
3	blue
4	black
5	grey
6	pink

 慈溪市万捷电子有限公司 CIXI WANJIE ELECTRONIC CO., LTD		PART NO.:		M08-AXX-ST0-M02-BQ1-XXX					
		Order No.:		---					
NO. SPECIFIED TOLERANCE			Cus' P/N:		Drawing No.:		SP-02-M000XX		
LINEAR	0.5-6	±0.1	DES.	Jun	DATE	UNITS	mm	THIRD ANGLE PROJECTION	PAGE
	6-30	±0.2	CHK.		DATE	SIZE	A4		
	>30	±2%	APP.		DATE	SCALE	X:X	文件等级: 外部公开	