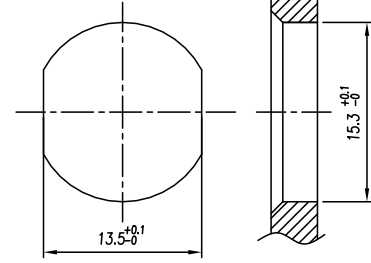
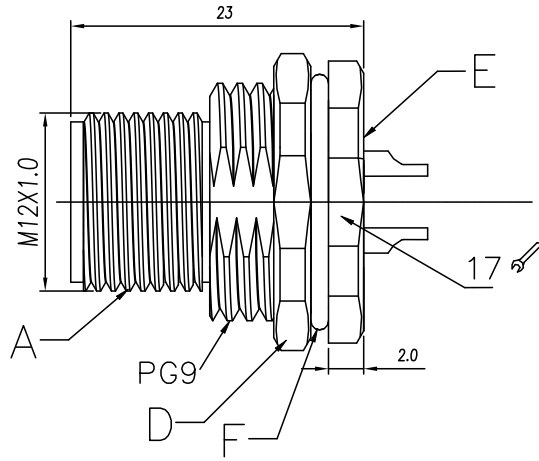
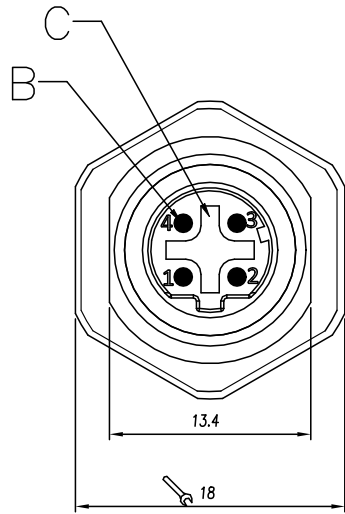


Transfer or duplication of this document as well as the utilization or communication of its contents are prohibited unless explicit authorization is granted. Violations will be liable for compensation. All rights reserved for patent, utility model or designs registrations. 除非经明确授权，否则禁止转让、复制、利用、交流本文档的内容。未经许可擅自涉及及发明、实用新型和外观设计的所有权利。



Panel cut-out

REVISION RECORD				
REV.	DESCRIPTION	ECN No.	APPROVED	DATE
V0	--			2022.06.20

IEC 技术参数 IEC Technical Data		IEC61076-2-101
工作温度 Operating temperatur [°C]		-25~+80
防护等级 IP Class (IN Locked condition)		IP67
额定电压 Rated Voltage [V]		250
额定电流 Rated Current [A]		4
导线截面积 Conductor cross section 硬质/柔性导线 Solid/ flexible [mm²]		/
接线范围 Wire Range 单/多芯线 Solid/Stranded [AWG]		/
材料 Material		
绝缘材料 Insulation Material		PA 66
阻燃等级 Imflammability		UL94V-0
导体材料 Contactor Material		铜合金 Copper alloy
导体镀层 Contactive Coating		镀金 Gold Plated
螺母/螺丝 Connector Nut/Screw		Brass With Nickel Plated 铜镀镍
符合RoHS环保要求		

Contacts Pin 数	4Pin
D-Coding	
Rated Current 额定电流	4A
Rated Voltage 额定电压	250V
Wire Range 接线范围(AWG)	22(Max)
PART NO.品名:	M12-D04-ST0-M02-BQ2

F	O-Ring	O-Ring FKM Black	pcs	1	
E	Resin	Black epoxy resin for sealing	g	2	
D	Nut	Nut:Brass With Nickel Plated	pcs	1	
C	Housing	D-Coding Male,Black PA66	pcs	1	
B	Terminal	Male Terminal ,Brass With Gold Plated	pcs	X	
A	Screw	Screw M12 X1.0,Brass With Nickel Plated	pcs	1	
编号 No.	料号 Materials.No	品名 Name	材料规格 Description	单位 Unit	用量 Qty

NO SPECIFIED TOLERANCE		DES.	PTQ	DATE	2022.06.20	UNITS	mm	TYPE: CUSTOMER DRAWING	
LINEAR	0.5-6	±0.1	CHK.	DATE		SIZE	A4	Drawing No.: SP-02-MXXXXX	SHEET 1 of 1
	6-30	±0.2	APP.	DATE		SCALE	1:1	Order No:	REV V0
	>30	±2%							
ANGLES	±1°		慈溪市万捷电子有限公司 CIXI WANJIE ELECTRONIC CO., LTD		PART NO.:		M12-D04-ST0-M02-BQ2		