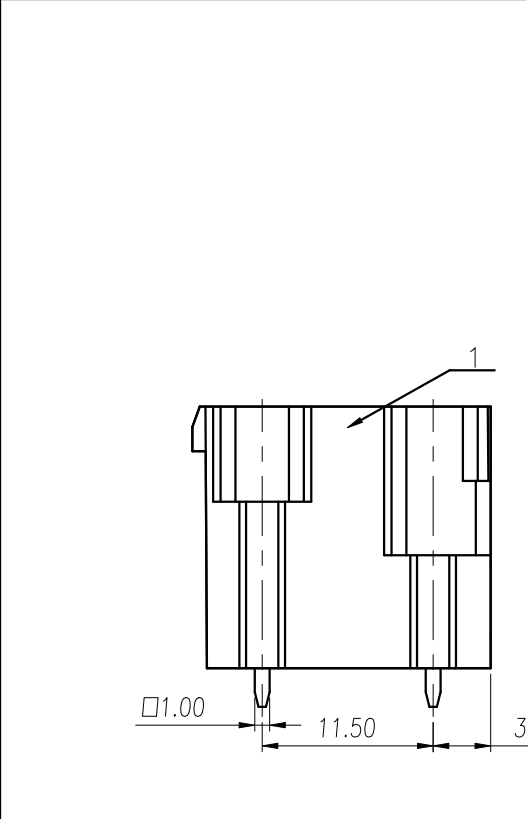
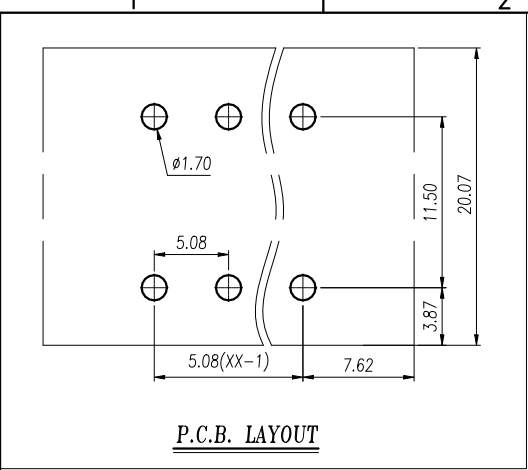
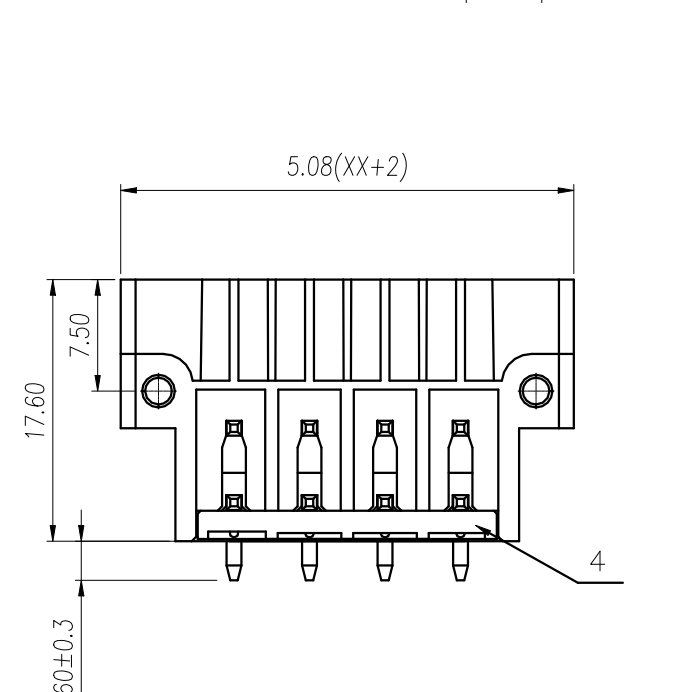
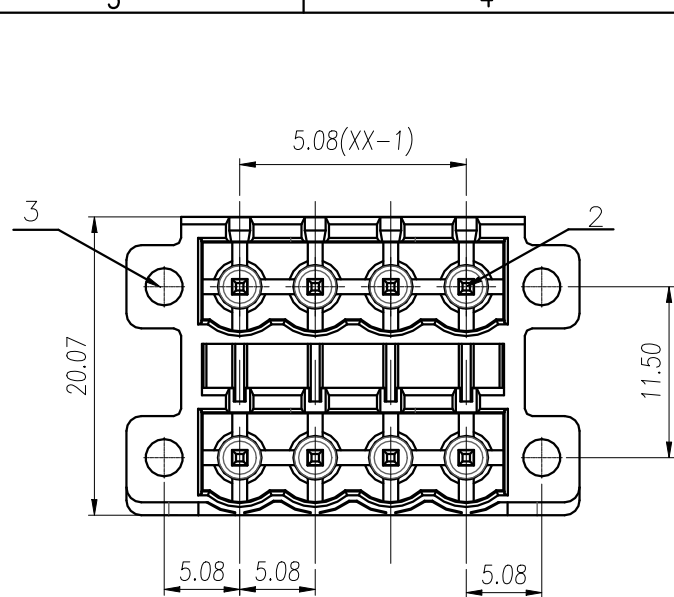


Transfer or duplication of this document as well as the utilization or communication of its contents are prohibited unless explicit authorization is granted. Violations will be liable for compensation. All rights reserved for patent, utility model or designs registrations. 除非给予明确授权，否则禁止转让、复制、利用、交流本文件的内容。侵犯者须承担赔偿责任。本公司保留专利及实用新型专利的所有权利。



General Tolerances								—	∇	⊥
variable range	to 6	over 6 to 10	over 10 to 30	over 30 to 60	over 60 to 100	over 100 to 160	over 160 to 10	over 10 to 100	over 100 to 100	
tolerance	±0.20	±0.30	±0.50	±0.70	±1.00	±1.30	±1.60	0.10	0.30	0.60



REVISION RECORD				
REV.	DESCRIPTION	ECN No.	APPROVED	DATE
V0	新发行		WangP	24.05.31

UL/CUL 技术参数		UL/CUL Technical Data			
等级	Use Group	B	C	D	
额定电压	Rated Voltage [V]	300	-	300	A
额定电流	Rated Current [A]	15	-	10	
接线范围	Wire Range	-			B
单/多芯线	Solid/Stranded [AWG]				
耐电压	Withstanding Voltage	1600V/1Min			C
IEC 技术参数		IEC61984			
过电压类别	Overvoltage Category	III	III	II	B
污染等级	Contamination Class	3	2	2	
额定电压	Rated Voltage [V]	250	320	400	B
额定电流	Rated Current [A]	12	12	12	
额定冲击电压	Impulse withstand voltage [KV]	4.0	4.0	4.0	B
导线截面积	Conductor cross section	-			
硬质/柔性导线	Solid/flexible [mm <sup>2</sup> ]				
一般参数 Other Data					C
间距	Pitch / 极数 Poles [mm] / [P]	5.08 / 2*02~2*24			
工作温度	Operating temperature [°C]	-40~130			C
焊接方法	Soldering method	Reflow Soldering			
符合RoHS环保要求					C

ITEM	NAME OF PART	MATERIAL	NOTES
4	Cover	LCP	UL94V-0
3	NUT	Copper Alloy	M2.5
2	Pin	Copper Alloy	Sn Plated
1	Housing	LCP	UL94V-0

DES.	DATE	24.05.31	UNITS	mm	THIRD ANGLE PROJECTION		
CHK.	DATE	24.05.31	SIZE	A4	TYPE: CUSTOMER DRAWING		SHEET 1 of 1
APP.	JASON	DATE	24.05.31	SCALE	DRAWING TYPE: SP-03		REV V0
慈溪市万捷电子有限公司 CIXI WANJIE ELECTRONIC CO., LTD					PART NO.: WJ2EDGVHBM-THR-5.08-2*XXP-1Y-00A		